



TOP X **NEW**

The drainage channel for private driveways, courtyards, patios and gardens.



TOP X

The drainage channel for private driveways, courtyards, patios and gardens.

1 Requirements

Drainage channels in private areas must

- withstand the daily loadings continually.
- be easy to transport and simple to install.
- be resistant to environmental effects (frost, heat and moisture).
- be visually pleasing.

2 Application areas

- predominately private areas
- garage entrances
- courtyard areas
- terraces
- gardens
- parks

3 Solution

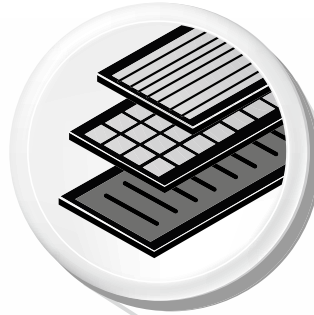
Because of this the new TOP X channels are very suitable for the drainage of private areas

- high stability and functionality
- low weight
- preformed supports for simple pipe connection
- gratings made of recycled composite, galvanised steel or stainless steel





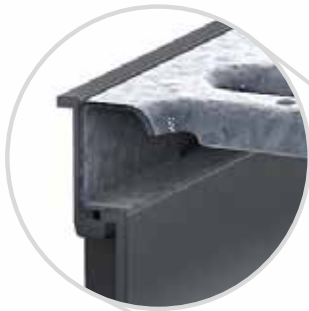
The benefits of **TOP X** channels



Numerous design possibilities

- channels and accessories in black or silver
- different grating designs in the materials recycled composite, galvanised steel or stainless steel

= **Flexibility**



Locking mechanism

- boltless locking by safe clamping

= **Safety**



Round channel

- better hydraulic performance

= **Safety**

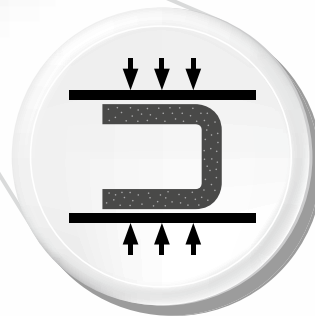
New design



Low weight ensures easy handling on site

- significantly lighter than channels made of mineral material
- especially easy to transport and process

= **Cost saving**



High-quality material

- robust and unbreakable
- elastic and especially resistant recycled composite
- withstands the passage of cars

= **Safety**



Quick installation

- easy to process
- tongue and groove system for immediate laying
- direct paving possible

= **Cost saving**

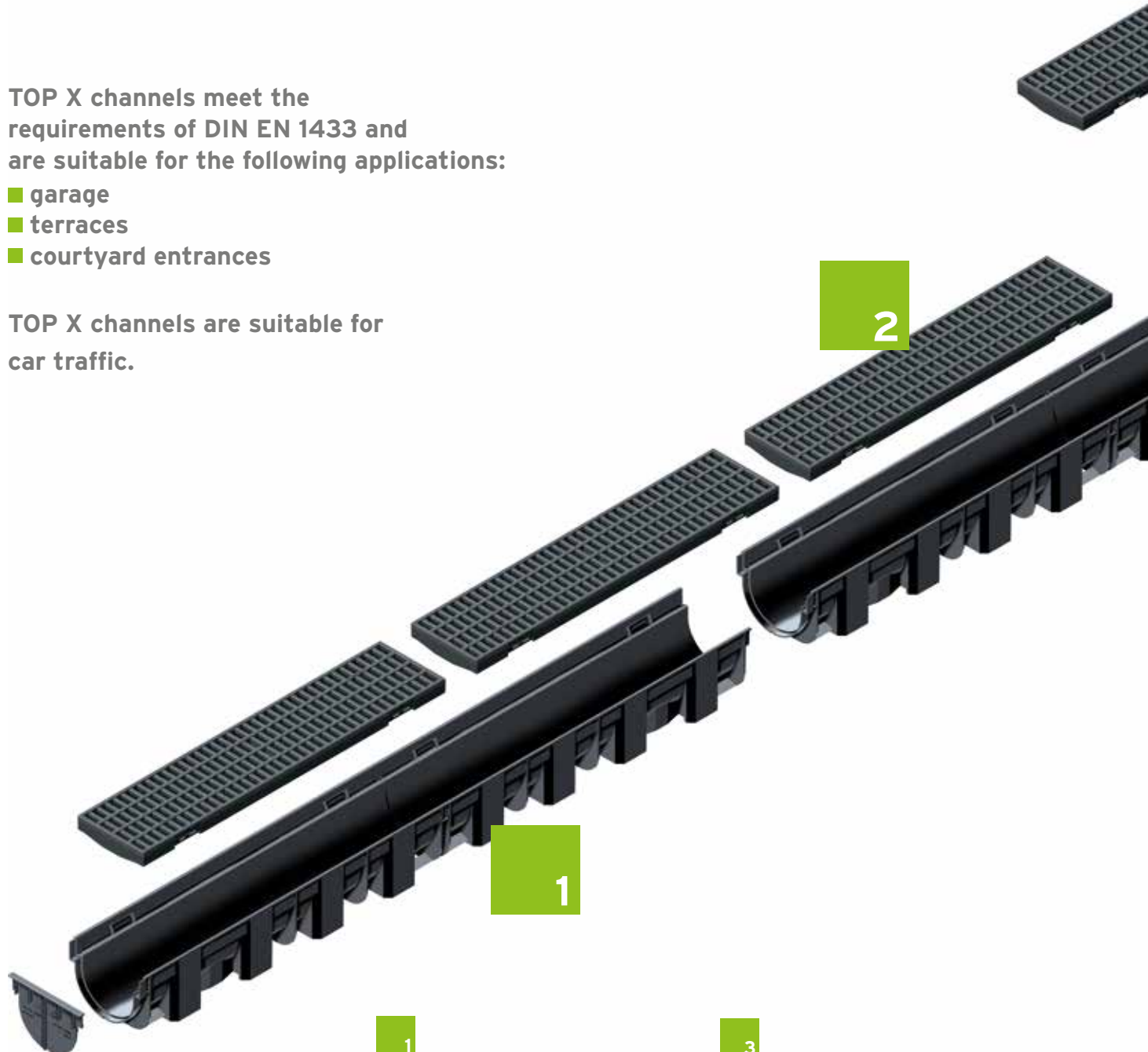
TOP X **NEW**

The drainage channel for private driveways, courtyards, patios and gardens.

TOP X channels meet the requirements of DIN EN 1433 and are suitable for the following applications:

- garage
- terraces
- courtyard entrances

TOP X channels are suitable for car traffic.



1

■ Channels made of PP recycled composite, according to EN 1433, CE-conform, with tongue and groove connection for exact installation

2

■ various grating options - made of recycled composite (black or silver), galvanised steel or stainless steel

3

■ various connection possibilities through channel or universal box with or without leaf collector and foul air trap

4

■ TOP X universal box can be used as corner unit or trash box with and without foul air trap

5

■ closed end caps

Gratings made of recycled composite or stainless steel are 100% corrosion free.



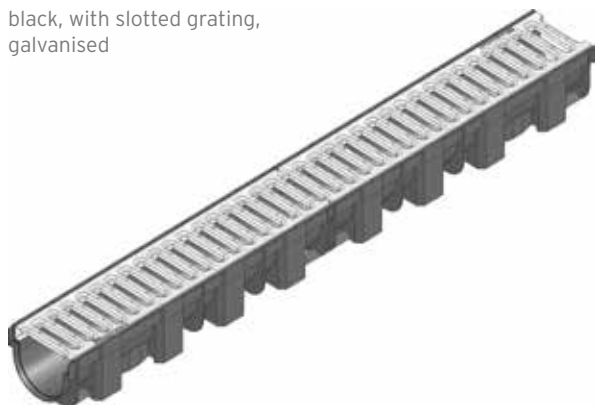
Complete accessories with assembly instruction: (available in black or silver)

for TOP X channel		for TOP X universal box		
Connection set for channel with end caps, adapter, black, including assembly instruction, Item No. 44340	Connection set for channel with end caps, leaf trap, adapter, foul air trap, black, including assembly instruction, Item No. 44343	TOP X universal box as corner unit, including assembly instruction Item No. 44360	TOP X universal box, black, with connection set, end caps, leaf trap, foul air trap, including assembly instruction Item No. 44346	Foul air trap for TOP X universal box, Item No. 44349

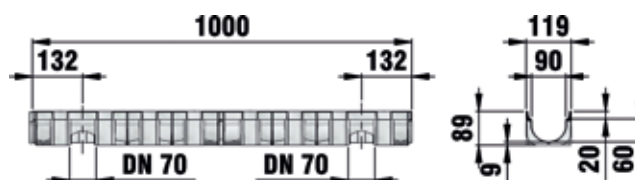
TOP X

TOP X, combi article, PP channel with grating

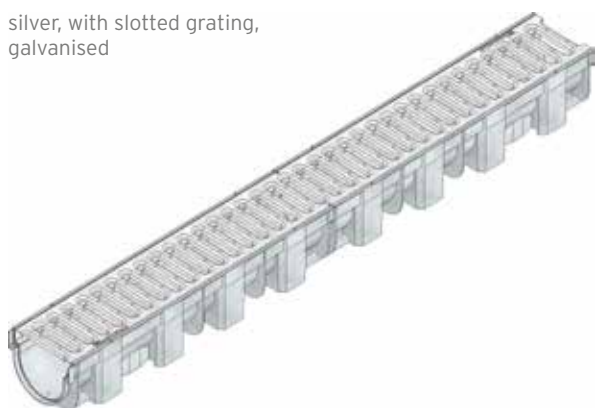
black, with slotted grating,
galvanised



Sectional drawing of Top X



silver, with slotted grating,
galvanised

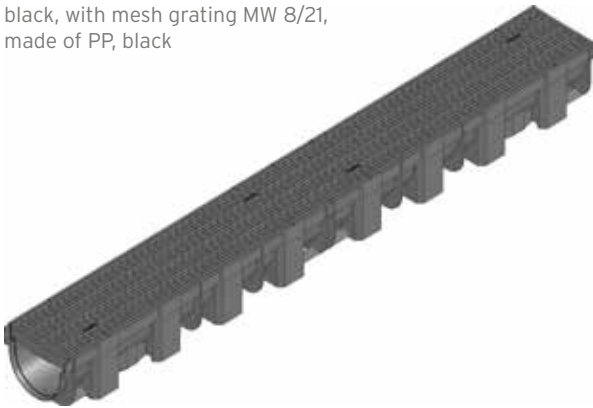


	Length mm	Width mm	Height mm	Drainage cross sec- tion cm ²	Intake cross section cm ² /m	Weight kg	Item No.
black, with slotted grating, galvanised	1000	119	89	45	256	1,9	44300
black, with slotted grating, stainless steel	1000	119	89	45	256	1,9	44303
silver, with slotted grating, galvanised	1000	119	89	45	256	1,9	44332
silver, with slotted grating, stainless steel	1000	119	89	45	256	1,9	44333

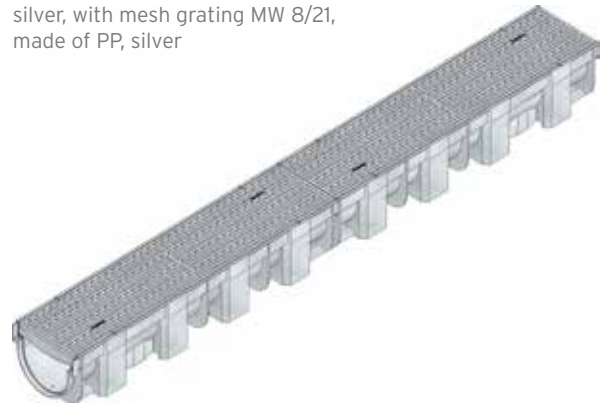
TOP X

TOP X, combi article, PP channel with grating

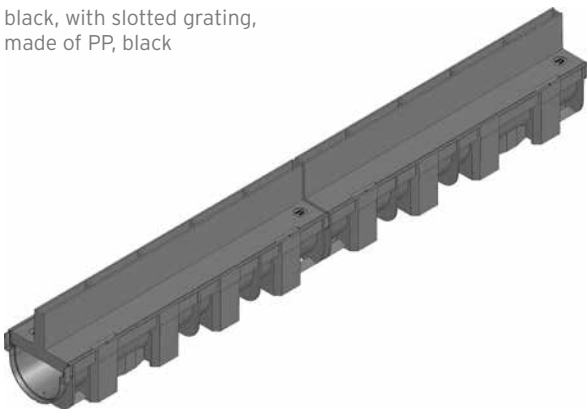
black, with mesh grating MW 8/21,
made of PP, black



silver, with mesh grating MW 8/21,
made of PP, silver



black, with slotted grating,
made of PP, black



	Length mm	Width mm	Height mm	Drainage cross sec- tion cm ²	Intake cross section cm ² /m	Weight kg	Item No.
black, with mesh grating MW 8/21, made of PP, black	1000	119	89	45	505	1,6	44320
silver, with mesh grating MW 8/2, made of PP, silver	1000	119	89	45	505	1,6	44325
black, with slotted cover, made of PP, black	1000	119	147	45	118	1,5	44335

TOP X

TOP X, Accessories



Connection set for channel with end caps, adapter, black, including assembly instruction



Connection set for channel with end caps, adapter, silver, including assembly instruction



Connection set for channel with end caps, leaf trap, adapter, foul air trap, silver, including assembly instruction



TOP X universal box as corner unit, black, including assembly instruction



TOP X universal box as corner unit, silver, including assembly instruction



TOP X universal box, black, with connection set, end caps, leaf trap, foul air trap, including assembly instruction



Foul air trap for TOP X universal box



TOP X access cover for slotted grating, galvanised

	Length mm	Width mm	Height mm	Weight kg	Item No.
Connection set for channel with end caps, adapter, black, including assembly instruction	-	-	-	0,1	44340
Connection set for channel with end caps, adapter, silver, including assembly instruction	-	-	-	0,1	44341
Connection set for channel with end caps, leaf trap, adapter, foul air trap, black, including assembly instruction	-	-	-	0,5	44343
Connection set for channel with end caps, adapter, foul air trap, silver, including assembly instruction	-	-	-	0,5	44344
TOP X universal box as corner unit, black, including assembly instruction *	137	137	125	0,2	44360
TOP X universal box as corner unit, silver, including assembly instruction *	137	137	125	0,2	44365
TOP X universal box, black, with connection set, end caps, leaf trap, foul air trap, including assembly instruction	-	-	-	0,7	44346
TOP X universal box, silver, with connection set, end caps, leaf trap, foul air trap, including assembly instruction	-	-	-	0,7	44347
Foul air trap for TOP X universal box	-	-	-	0,1	44349
TOP X access cover for slotted cover, galvanised	500	124	58	3,5	44390

*additionally required Item No. 44340, 44341, 44343 or 44344

TOP X

Quick and easy installation



Produce trench in which to lay channel with frost resistant sub base.



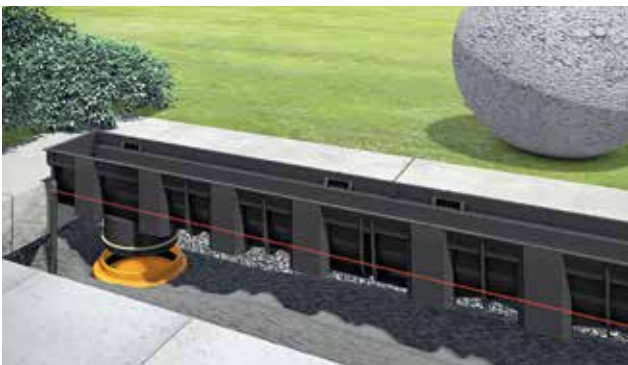
Fill with concrete and compress to foundation.



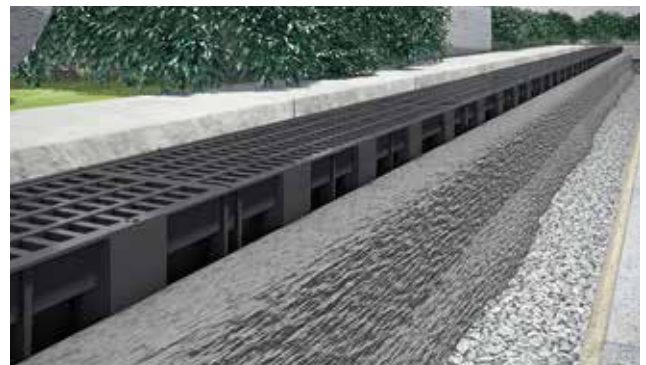
Produce connection openings.



Fit accessories.



Lay channels.



aunch the concrete.

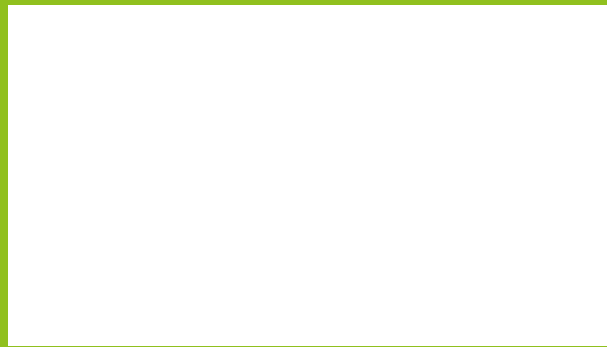


Install surface coating.



TOP X installation videos.

 **hauraton**
IT'S RUNNING WELL



11/2015 | Printed in Germany
All drawings, Measurements and weights are noncommittal for improvement!

Wir reserve the right to do technical changes for improvement!

006-01-1214

HAURATON GmbH & Co. KG

Werkstraße 13
76437 Rastatt
Germany
Tel. +49 7222 958 0
Fax +49 7222 958 222
info@hauraton.com
www.hauraton.com